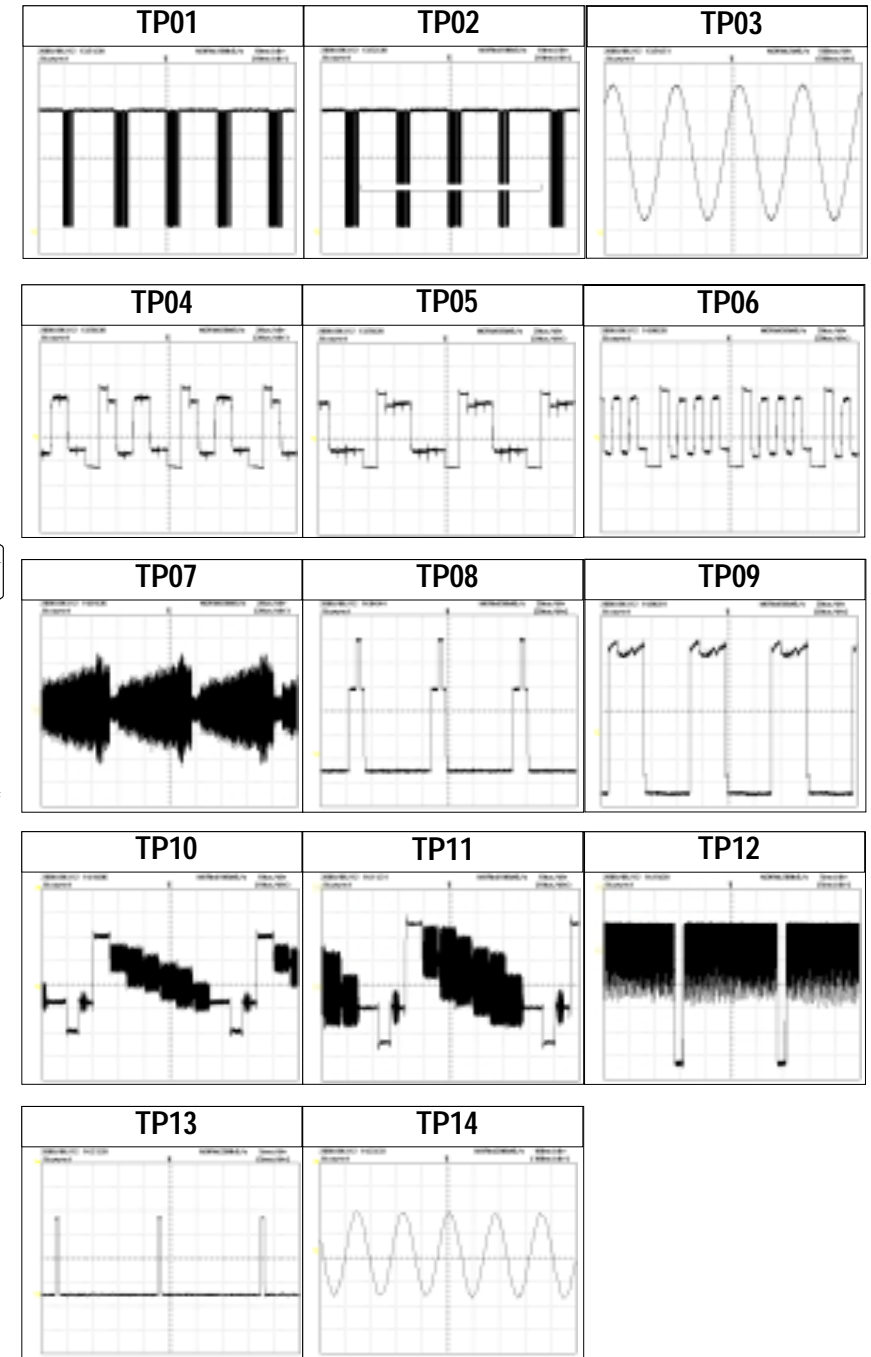
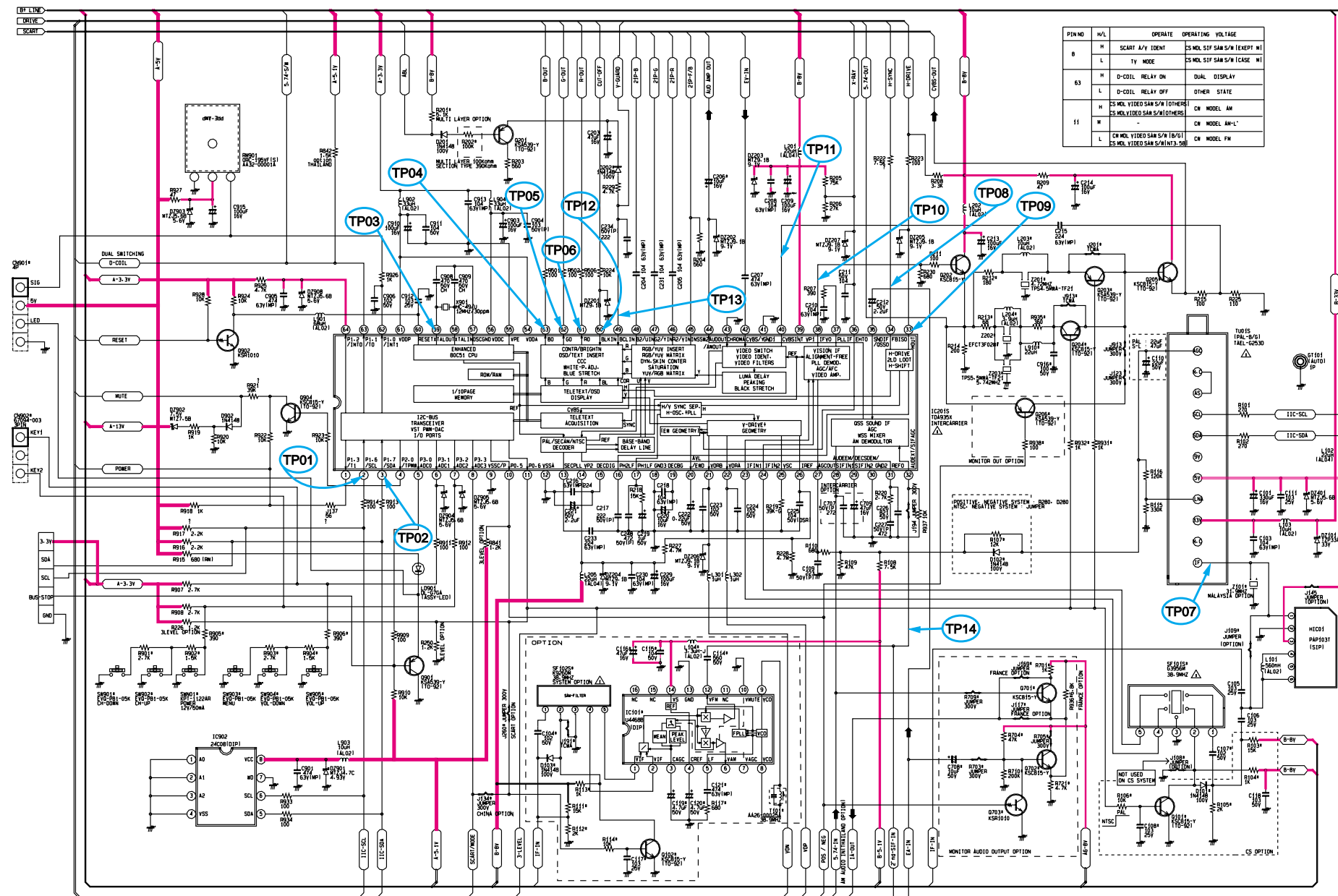


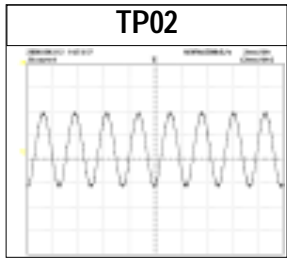
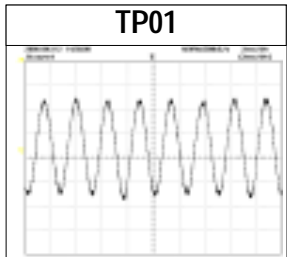
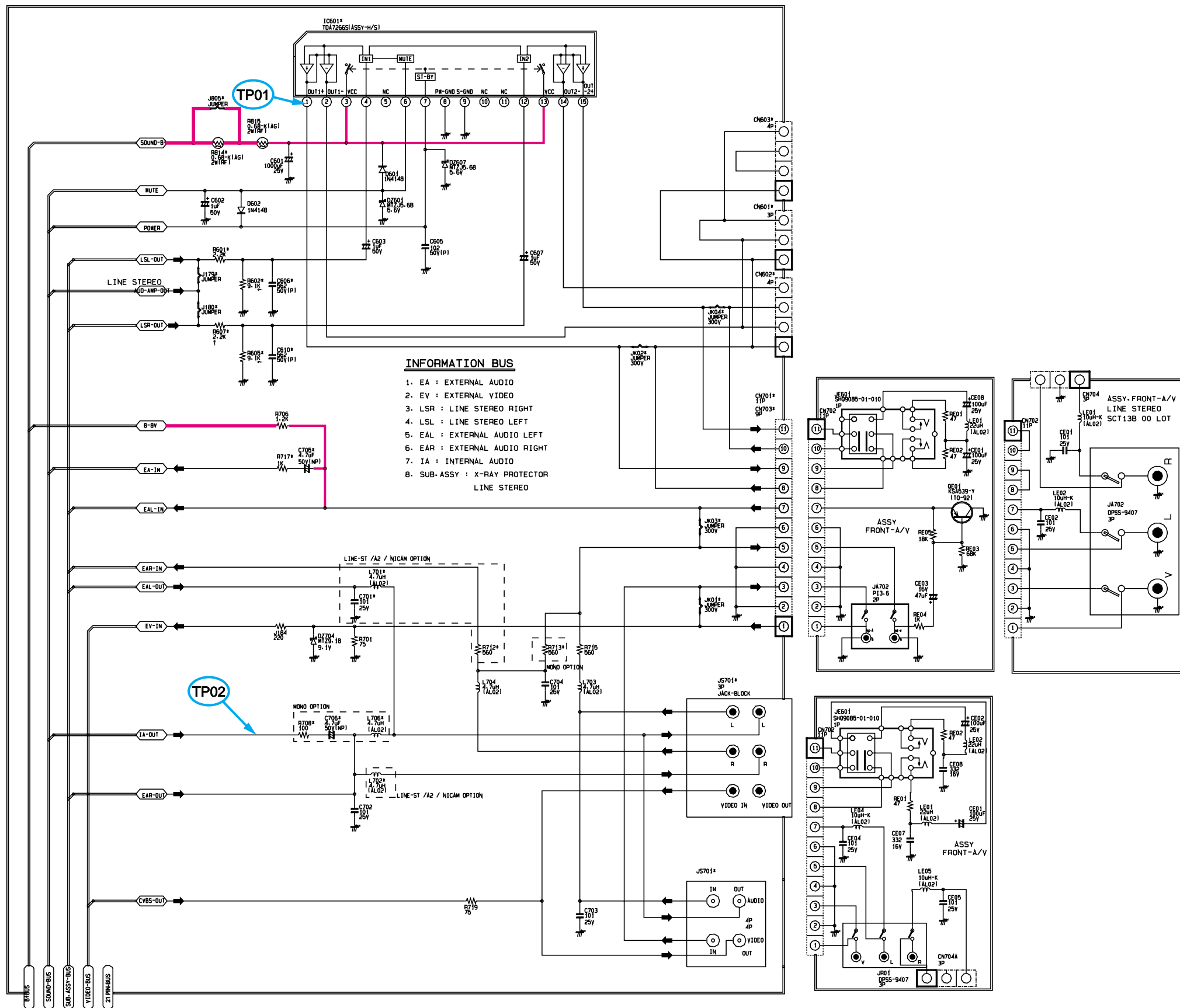
10. Schematic Diagrams

10-1 ONECHIP & MICOM



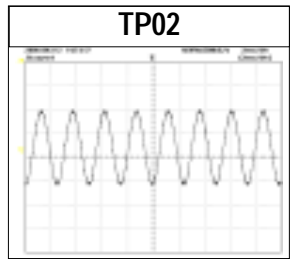
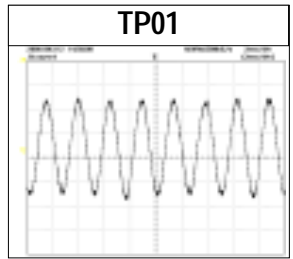
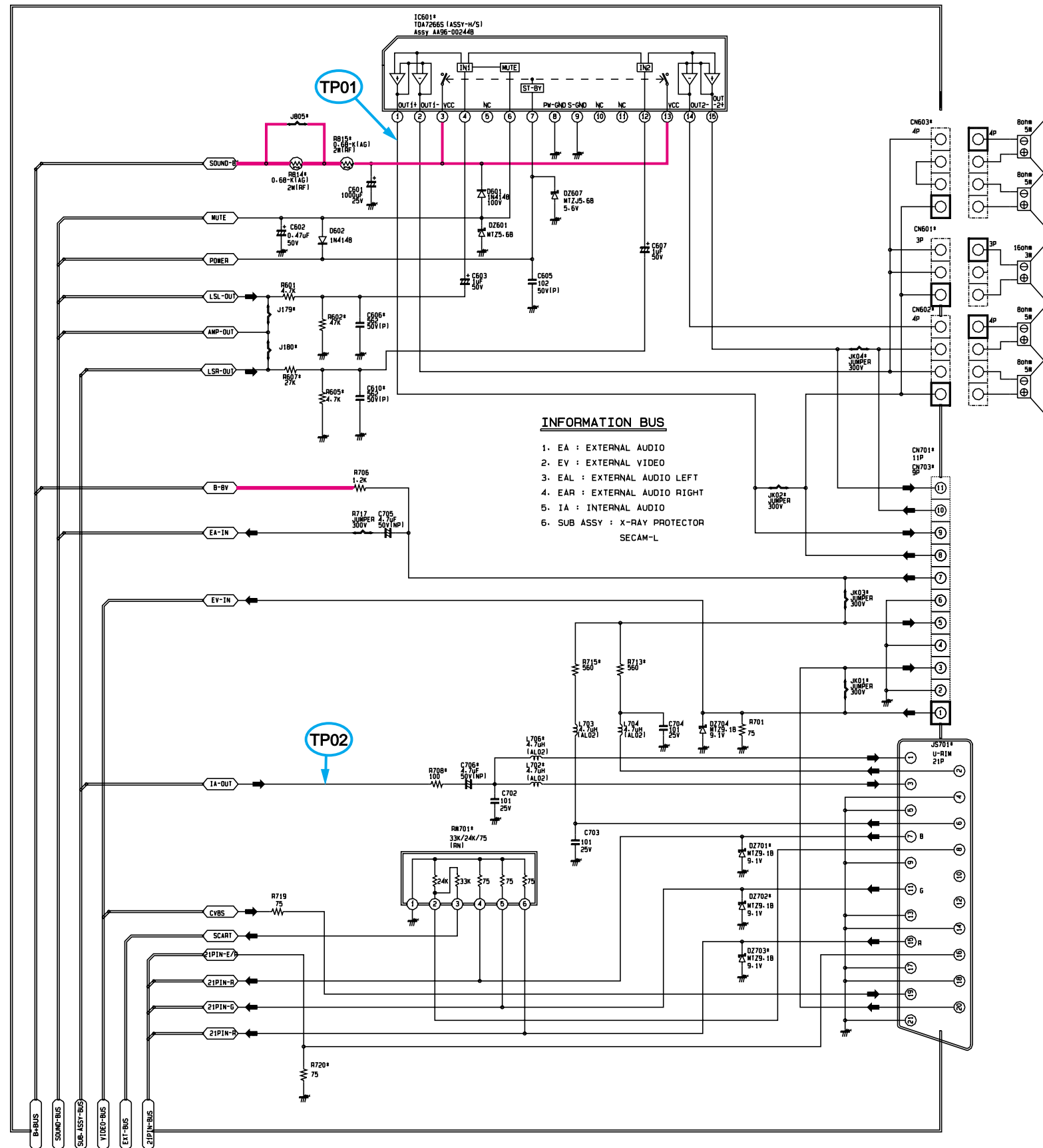
— : Power Line

10-2 SOUND, EXT-A/V (RCA)



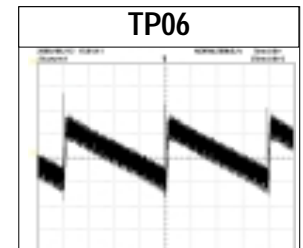
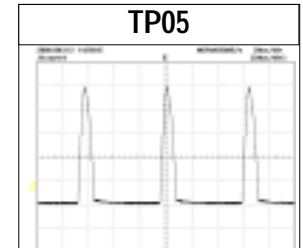
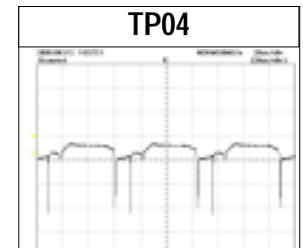
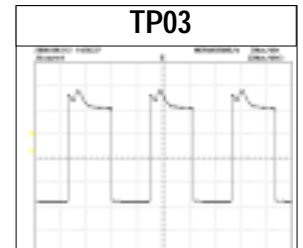
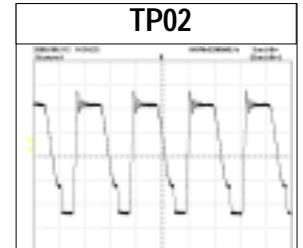
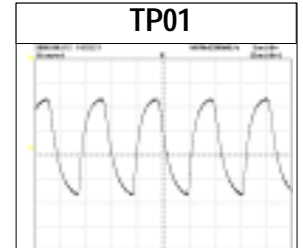
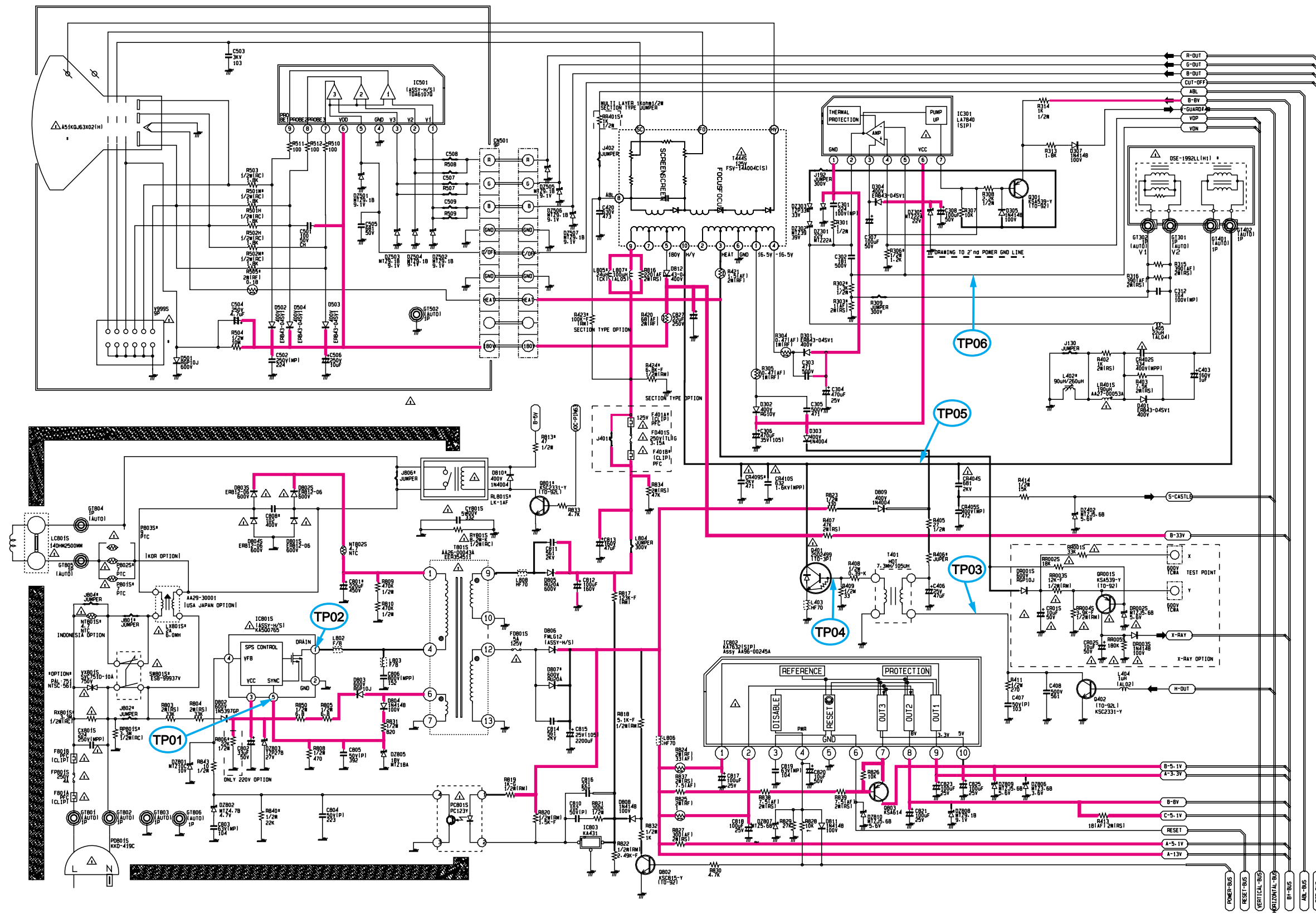
Power Line

10-3 SOUND, EXT-A/V (SCART)



Power Line

10-4 POWER / CRT / VERTICAL / HORIZONTAL



Power Line